

Space Saver

Installation and User Guide

Discover the hidden benefits



New
Space Saver



Installation Guide

Index

Installation Guide

Hydronic	3
SS3 W	
SS5 W	
SS7 W	
SS9 W	
Hydronic Low Voltage	7
SS5 W/12V	
Hydronic/Electric	11
SS5 W/Dual	
Electric	16
SS2E W	

User Guide

Hydronic & Hydronic Low Voltage	18
SS3 W	
SS5 W	
SS7 W	
SS9 W	
SS5 W/12V	
Hydronic/Electric	19
SS5 W/Dual	
Electric	21
SS2E W	

Accessory

Remote Room Thermostat (Part No. RT002)	22
Removal of push-fit flexible hoses	23



SS3 W, SS5 W, SS7 W, SS9 W

The following items should be included in the carton:

- ❖ Product complete with fixed white grille and pre-wired mains cable.
- ❖ Fixing screws (2).
- ❖ One pair flexible installation hoses/isolating valves (not included with SS3 models).

Overlay grilles which fit over the fixed white grille are available in different colours and finishes. Please consult the price list for details. In the event of any items missing or visible damage, please contact us on 01245 324560.

We would be most grateful if you would leave this Installation & User Guide and the Guarantee Registration Card with the owner of the property.

Space Saver is primarily intended for installation in the space beneath kitchen cupboards behind the plinth. However, it can also be installed in similar applications such as stair risers and other built-in furniture.

This Space Saver model must not be installed in a bathroom or other high humidity areas. Please contact us on 01245 324560 for details of products suitable for these applications.

Space Saver is designed for use on standard two-pipe pumped central heating systems. Pipes are 15mm and either may be used as flow or return. This product is not suitable for one-pipe systems.

Space Saver is classified as a fixed appliance and electrical connection should be via a double pole 3A fused spur with a minimum contact gap of 3mm. The fused spur must not be directly above the heater but should be accessible after completion of the installation. If the pre-wired mains cable is damaged, it must be replaced by either the manufacturer, its service agent or similarly qualified persons. The appliance must be earthed.

To ensure adequate airflow, a minimum clearance of 20mm between the top of the product and any shelving is essential.

To avoid the possibility of vibration, this product must be installed on a flat, even surface.

There must be no rear access to the product after completion of the installation.

To conform with Building Regulations Part L (Part J in Scotland), a remote room thermostat (Smith's Part No. RT002) can be used in conjunction with this Space Saver fan-assisted radiator.

The flexible installation hoses supplied are suitable for use with either 15mm diameter copper pipe or 15mm cross-linked polythene barrier pipe to BS 7291. For all other types of pipes we recommended the use of compression type fittings.

Please note the guarantee may be invalidated if this product is not installed and used in accordance with this guide.

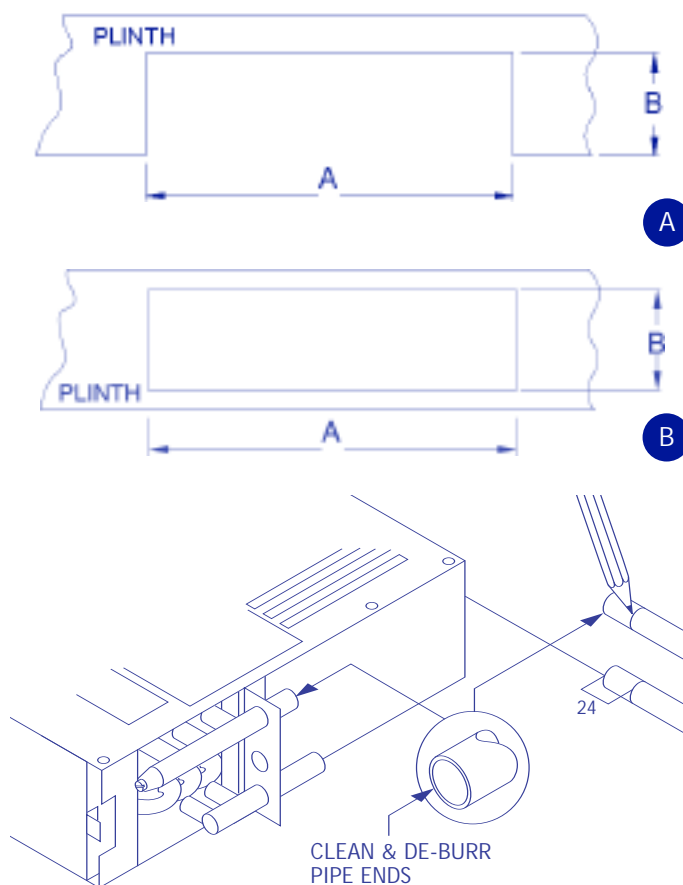
Installation Guide

1. We recommend the use of a kneepad when installing this product. Cut the opening in the plinth to the size shown in the table. Use method A or B

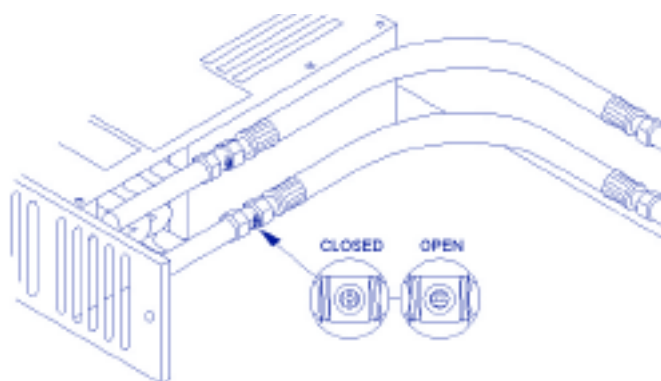
Model	Width A	Height B*
SS3 W	475mm	96mm
SS5 W	475mm	96mm
SS7 W	475mm	96mm
SS9 W	570mm	96mm

* The overall height of the grille is 100mm. Use care when cutting the opening

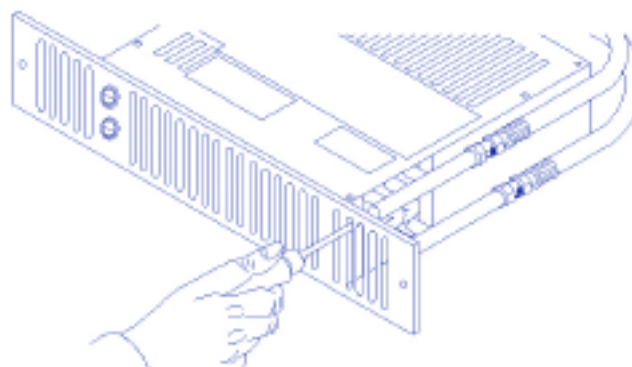
2. Clean and de-burr both the heater and system flow and return pipes. Failure to do so may damage the seal in the flexible hose connections and lead to water leaks. Mark the pipes 24mm from the end.



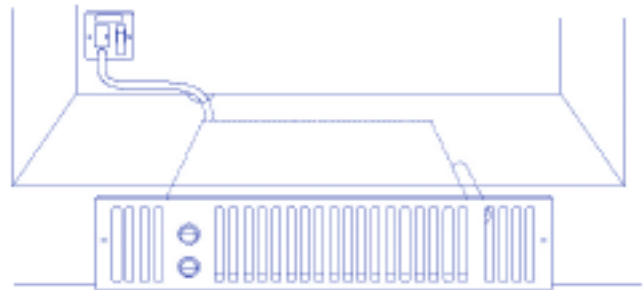
3. Connect the flexible hoses (the ends that include the isolating valves) to the heater flow and return pipes. Connect the other ends of the flexible hoses to the heating system flow and return pipes. If the connections are correct the marks you made on the pipes will NOT be visible. Open the valves and check for leaks. To remove the flexible hoses see page 23.



4. Vent air through the bleed screw.

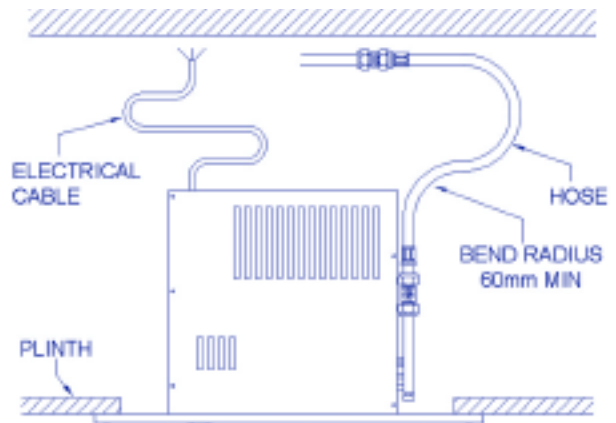


- Isolate electrical supply and connect the heater electric cable to the fused spur (3A). Ensure the fused spur is not directly above the heater and is accessible after installation is complete.

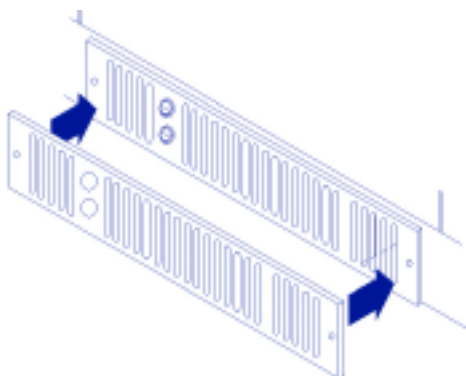


Commissioning

- Turn on the electrical supply at the fused spur.
 - Set the upper control switch on the fascia grille to BLUE and lower switch to either I or II. The fan will run.
 - Turn on the central heating system.
 - Set any room thermostat/s to maximum.
 - Set the lower heat output switch to I and the upper switch to RED – the fan should run and heat will flow within a few minutes.
 - Balance the central heating system if Space Saver is installed on the same circuit as panel radiators.
 - When the installation is working correctly, remember to reset any room thermostat/s to its normal setting.
- Position heater, making sure the flexible hoses are not kinked and the electrical cable is not snagged.



- Fit overlay grille (if supplied) over fixed grille



- Fix heater to plinth.



Installation Guide

Heat Output Performance

It is recommended that the Space Saver model chosen is capable of maintaining the calculated heat loss at normal heat output (I) enabling the boost setting (II) to be used for faster heat up.

Model	Heat Output Δt 60°C		Heat Output Δt 50°C	
	Normal (kW)	Boost (kW)	Normal (kW)	Boost (kW)
SS3 W	0.8	0.9	0.6	0.8
SS5 W	1.3	1.7	1.1	1.4
SS7 W	1.6	1.9	1.3	1.6
SS9 W	2.2	2.4	1.9	2.1

Notes:

ΔT 60°C assumes a mean water temperature of 80°C and room temperature of 20°C.

ΔT 50°C assumes a mean water temperature of 70°C and room temperature of 20°C.

Fault Finding

1. Fan does not run on any switch setting.
 - a. Check the power supply is switched ON.
 - b. Check fuse in the fused spur.
 - c. Check the wiring connections at the fused spur.
2. No heat output on settings I and II.
 - a. Check the power supply is switched ON.
 - b. If fitted, ensure any room thermostats are calling for heat.
 - c. Balance the central heating system if installed on the same circuit as panel radiators and increase the circulating pump speed if required.
 - d. Increase the boiler water temperature.

In the event of any difficulty, please contact us on 01245 324560.

It will be more helpful if you do not remove the product from the central heating system.

SS5 W/12V

The following items should be included in the carton:

- ❖ Product with fixed white grille.
- ❖ Transformer with 450mm of pre-wired mains cable.
- ❖ Two single-pin male connectors.
- ❖ Fixing screws (2).
- ❖ One pair flexible installation hoses/isolating valves.

Overlay grilles which fit over the fixed white grille are available in different colours and finishes. Please consult the price list for details. In the event of items missing or visible damage, please contact us on 01245 324560.

We would be most grateful if you would leave this Installation & User Guide and the Guarantee Registration Card with the owner of the property.

Space Saver 12-volt models are primarily intended for installation in the space beneath bathroom cabinets, bath panels and other high humidity areas. 12-volt models are safe to operate with wet hands.

Space Saver is designed for use on standard two-pipe pumped central heating systems. Pipes are 15mm and either may be used a flow or return. This product is not suitable for one-pipe systems.

The transformer must be located outside the bathroom or high humidity area. The 450mm lead attached to the transformer must be connected to the fused spur (mains supply).

You will need to provide a cable (twin core 0.5mm² for lengths up to 6 metres, 1.0mm² for longer lengths) to connect the terminals on the product to the transformer. The two single-pin male connectors are provided to connect this cable to the transformer terminals.

Space Saver is classified as a fixed appliance and electrical connection should be via a double pole 3A fused spur with a minimum contact gap of 3mm.

The fused spur should be close to the transformer and be accessible after completion of the installation. This product must not be earthed.

To ensure adequate airflow, a minimum clearance of 20mm between the top of the product and any shelving is essential. To avoid the possibility of vibration, this product must be installed on a flat even surface. There must be no rear access to the product after completion of the installation.

To conform with Building Regulations Part L (Part J in Scotland), a remote room thermostat (Smith's Part No. RT002) can be used in conjunction with this Space Saver fan-assisted radiator.

The flexible installation hoses supplied are suitable for use with either 15mm diameter copper pipe or 15mm cross-linked polythene barrier pipe to BS 7291. For all other types of pipes we recommended the use of compression type fittings.

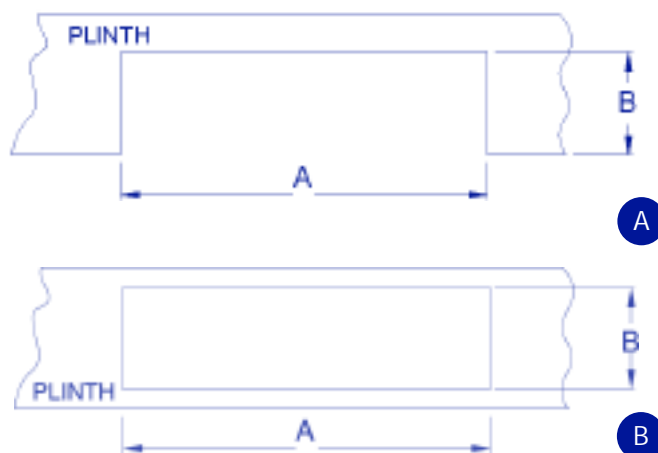
Please note the guarantee may be invalidated if this product is not installed and used in accordance with this guide.

Installation Guide

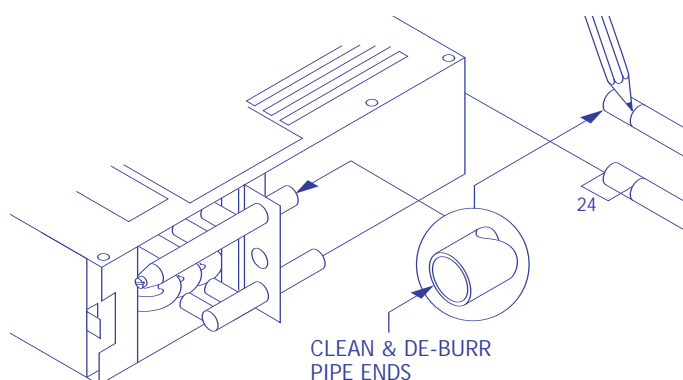
1. We recommend the use of a kneepad when installing this product. Cut the opening in the plinth to the size shown in the table. Use method A or B.

Model	Width A	Height B*
SS5 W/12V	475mm	96mm

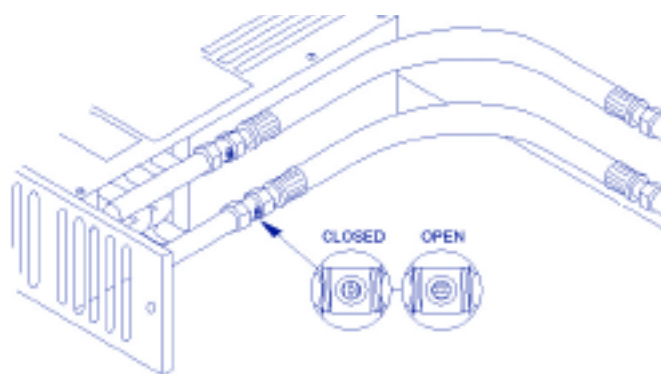
* The overall height of the grille is 100mm. Use care when cutting the opening



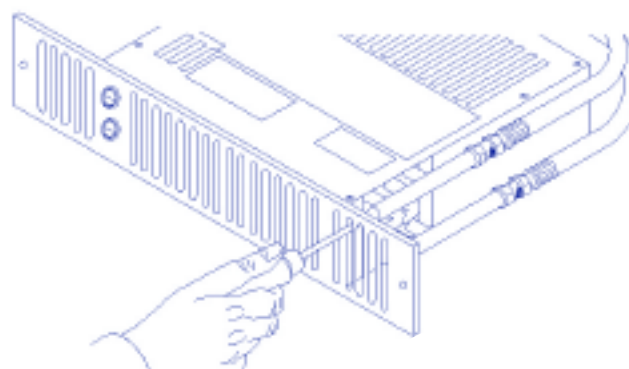
2. Clean and de-burr both the heater and system flow and return pipes. Failure to do so may damage the seal in the flexible hose connections and lead to water leaks. Mark the pipes 24mm from the end.



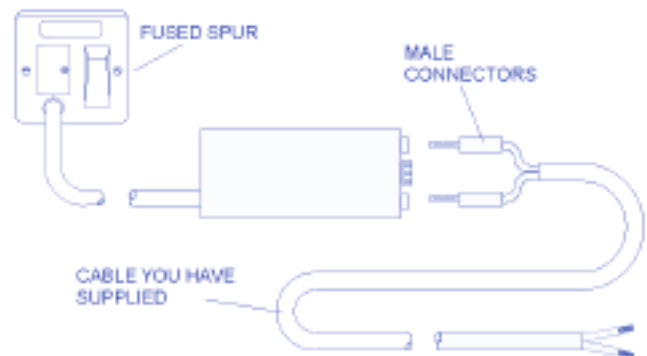
3. Connect the flexible hoses (the ends that include the isolating valves) to the heater flow and return pipes. Connect the other ends of the flexible hoses to the heating system flow and return pipes. If the connections are correct the marks you made on the pipes will NOT be visible. Open the valves and check for leaks. To remove the flexible hoses see page 23.



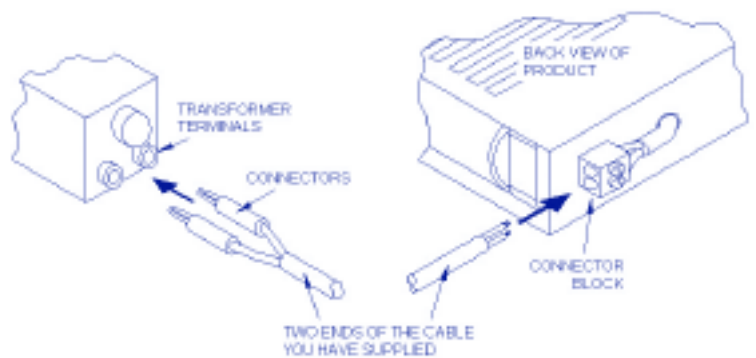
4. Vent air through the bleed screw.



- Isolate electrical supply and connect the transformer flying leads to the fused spur (3A). The transformer must be located outside the bathroom or high humidity area. Connect the single-pin male connectors to the twin core cable you have supplied.



- Push in the connectors to the transformer terminals and connect the other end of the cable to the terminals on the back of the product.

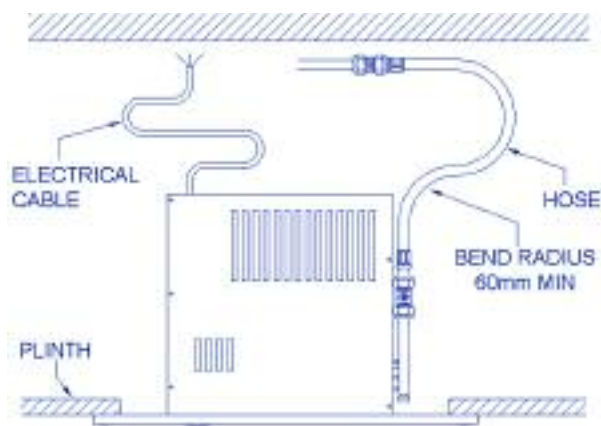


Commissioning

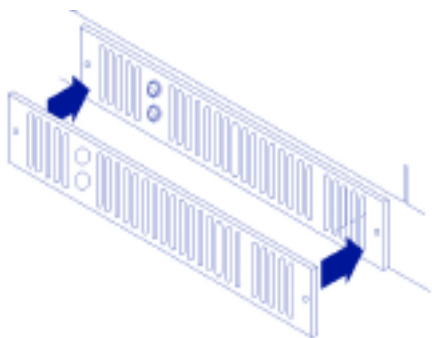
- Turn on the electrical supply at the fused spur.
- Set the upper control switch on the fascia grille to BLUE and lower switch to either I or II – the fan will run.
- Turn on the central heating system.
- Set any room thermostat/s to maximum.
- Set the lower heat output switch to I and the upper switch to RED – the fan should run and heat will flow within a few minutes.
- Balance the central heating system if Space Saver is installed on the same circuit as panel radiators.
- When the installation is working correctly, remember to reset any room thermostat/s to its normal setting.

Installation Guide

7. Position heater, making sure the flexible hoses are not kinked and the electrical cable is not snagged.



- 8a. Fit overlay grille (if supplied) over fixed grille.



8. Fix fascia grille to plinth.



Heat Output Performance

It is recommended that the Space Saver model chosen is capable of maintaining the calculated heat loss at normal heat output (I) enabling the boost setting (II) to be used for faster heat up.

Model	Heat Output Δt 60°C		Heat Output Δt 50°C	
	Normal (kW)	Boost (kW)	Normal (kW)	Boost (kW)
SS5 W/12V	1.3	1.7	1.1	1.4

Notes:

ΔT 60°C assumes a mean water temperature of 80°C and room temperature of 20°C.

ΔT 50°C assumes a mean water temperature of 70°C and room temperature of 20°C.

Fault Finding

- | | |
|--|--|
| 1. Fan does not run on any switch setting. | a. Check the power supply is switched ON. |
| | b. Check fuse in the fused spur. |
| | c. Check the wiring connections at the fused spur. |
| | d. Check connections at the transformers and product. |
| | |
| 2. No heat output on settings I and II. | a. Check the power supply is switched ON. |
| | b. If fitted, ensure the room thermostat is calling for heat. |
| | c. Balance the central heating system if installed on the same circuit as panel radiators and increase the circulating pump speed if required. |
| | d. Increase the boiler water temperature. |

In the event of any difficulty, please contact us on 01245 324560.
It will be more helpful if you do not remove the product from the central heating system.

SS5 W/Dual

The following items should be included in the carton:

- ❖ Product complete with fixed white grille and pre-wired mains cable.
- ❖ Fixing screws (2).
- ❖ One pair flexible installation hoses/isolating valves.

Overlay grilles which fit over the fixed white grille are available in different colours and finishes. Please consult the price list for details. In the event of any items missing or visible damage, please contact us on 01245 324560.

We would be most grateful if you would leave this Installation & User Guide and the
Guarantee Registration Card with the owner of the property.

Installation Guide

Space Saver is primarily intended for installation in the space beneath kitchen cupboards behind the plinth. However, it can also be installed in similar applications such as stair risers and other built-in furniture.

This Space Saver model must not be installed in a bathroom or other high humidity areas. Please contact us on 01245 324560 for details of products suitable for these applications.

Space Saver is designed for use on standard two-pipe pumped central heating systems. Pipes are 15mm and either may be used as flow or return. This product is not suitable for one-pipe systems.

Space Saver is classified as a fixed appliance and electrical connection should be via a double pole 5A fused spur with a minimum contact gap of 3mm. The fused spur must not be directly above the heater but should be accessible after completion of the installation. If the pre-wired mains cable is damaged, it must be replaced by either the manufacturer, its service agent or similarly qualified persons. The appliance must be earthed.

Space Saver is fitted with overheat protection. When operating in electric heating mode the

heater will automatically stop in the event of the heating element reaching the cut out temperature.

To ensure adequate airflow, a minimum clearance of 20mm between the top of the product and any shelving is essential.

To avoid the possibility of vibration, this product must be installed on a flat, even surface.

There must be no rear access to the product after completion of the installation.

To conform with Building Regulations Part L (Part J in Scotland), a remote room thermostat (Smith's Part No. RT002) can be used in conjunction with this Space Saver fan-assisted radiator.

The flexible installation hoses supplied are suitable for use with either 15mm diameter copper pipe or 15mm cross-linked polythene barrier pipe to BS 7291. For all other types of pipes we recommended the use of compression type fittings.

Please note the guarantee may be invalidated if this product is not installed and used in accordance with this guide.

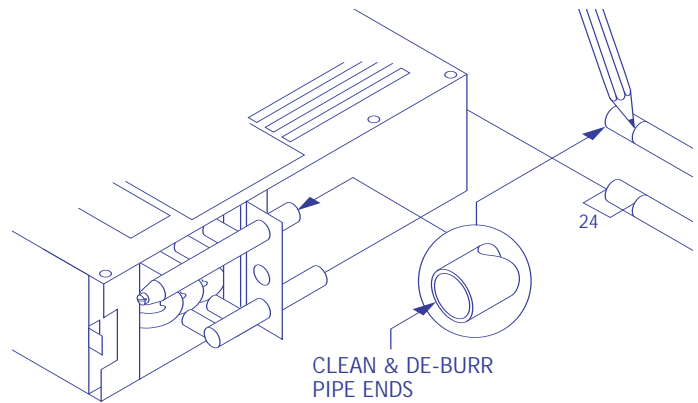
1. We recommend the use of a kneepad when installing this product. Cut the opening in the plinth to the size shown in the table. Use method A or B.

Model	Width A	Height B*
SS5 W/Dual	475mm	96mm

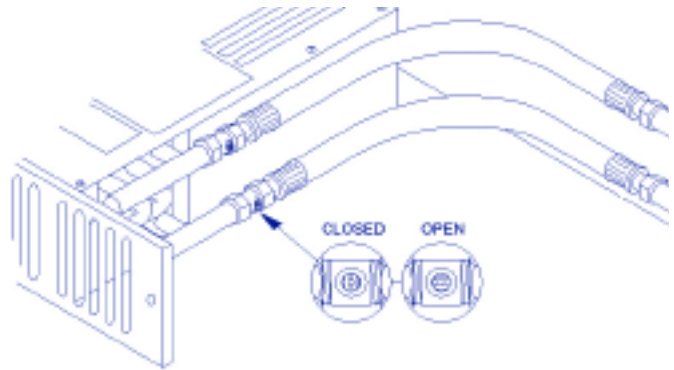
* The overall height of the grille is 100mm. Use care when cutting the opening



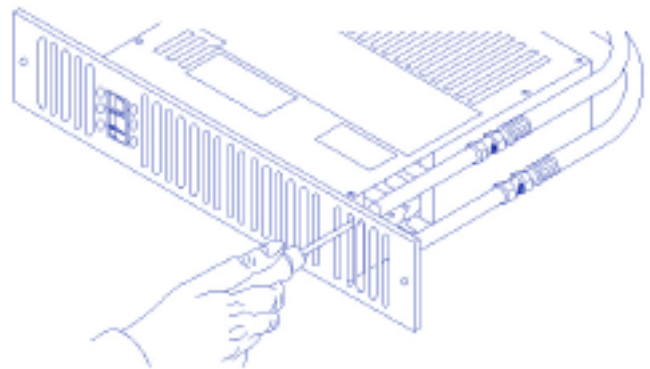
2. Clean and de-burr both the heater and system flow and return pipes. Failure to do so may damage the seal in the flexible hose connections and lead to water leaks. Mark the pipes 24mm from the end.



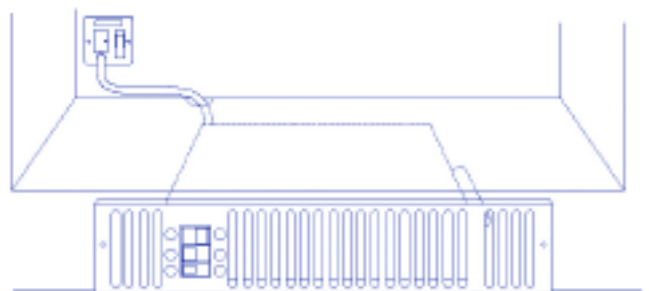
3. Connect the flexible hoses (the ends that include the isolating valves) to the heater flow and return pipes. Connect the other ends of the flexible hoses to the heating system flow and return pipes. If the connections are correct the marks you made on the pipes will NOT be visible. Open the valves and check for leaks. To remove the flexible hoses see page 23.



4. Vent air through the bleed screw.



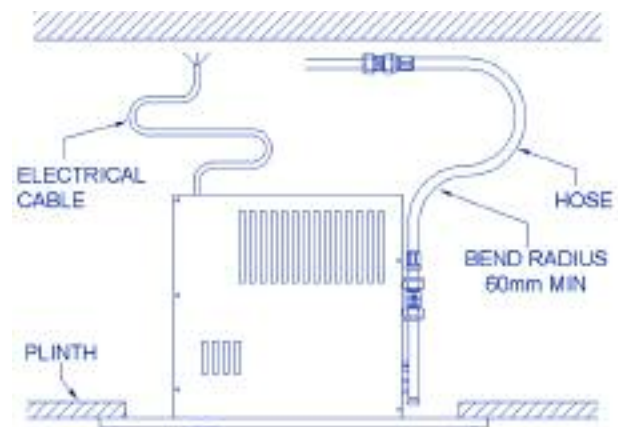
5. Isolate electrical supply and connect the heater electric cable to the fused spur (5A). Ensure the fused spur is not directly above the heater and is accessible after installation is complete.



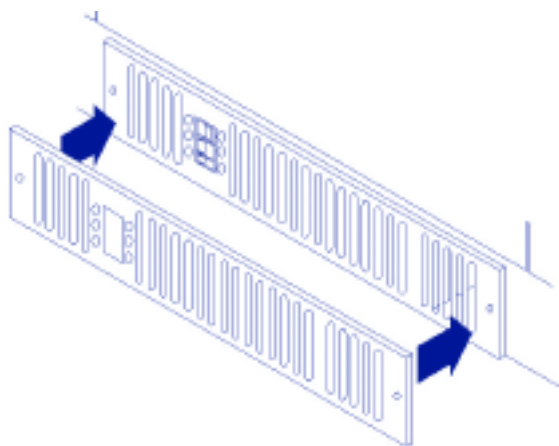
Installation Guide

Commissioning

1. Turn on the electrical supply at the fused spur.
2. Set the upper rocker switch on the fascia grille to the right (blue) and the lower switch to the left or right – the fan should run.
3. Set the upper rocker switch to the left (red) and the middle rocker switch to the right (electric heating). Heat will start to flow immediately. Increasing the fan speed will not increase the heat output in the electric heating mode.
4. Turn on the central heating system.
5. Set any room thermostat/s to maximum.
6. Position heater, making sure the flexible hoses are not kinked and the electrical cable is not snagged.
6. Set the upper rocker switch to the left (red), the middle rocker switch to the left (hydronic heating) and the lower switch to the left (normal output). The fan should run and heat will flow within a few minutes.
7. Balance the central heating system if Space Saver is installed on the same circuit as panel radiators.
8. When the installation is working correctly, remember to reset any thermostat/s to its normal setting.



7b. Fit overlay grille (if supplied) over fixed grille.



7b. Fix heater to plinth.



Heat Output Performance - Hydronic Model

It is recommended that the Space Saver model chosen is capable of maintaining the calculated heat loss at normal heat output (I) enabling the boost setting (II) to be used for faster heat up.

Model	Heat Output Δt 60°C Normal (kW)	Heat Output Δt 60°C Boost (kW)	Heat Output Δt 50°C Normal (kW)	Heat Output Δt 50°C Boost (kW)
SS5 W/Dual	1.3	1.7	1.1	1.4

Notes:

Dual models include an electric element which in electric heating mode will emit 1kW of heat.

ΔT 60°C assumes a mean water temperature of 80°C and room temperature of 20°C.

ΔT 50°C assumes a mean water temperature of 70°C and room temperature of 20°C.

Fault Finding

1. Fan does not run on any switch setting or no heat output on electric heating mode.
 - a. Check the power supply is switched ON.
 - b. Check fuse in the fused spur.
 - c. Check the wiring connections at the fused spur.
2. No heat output on hydronic heating mode.
 - a. Check the power supply is switched ON.
 - b. If fitted, ensure the room thermostat is calling for heat.
 - c. Balance the central heating system if installed on the same circuit as panel radiators and increase the circulating pump speed if required.
 - d. Increase the boiler water temperature.
3. If the overheat protection has activated on electric heating mode, manually reset as follows.
 - a. Switch the power supply OFF at the fused spur.
 - b. Wait five minutes for the overheat cut out switch to reset and then switch the power supply ON.

In the event of any difficulty, please contact us on 01245 324560.

It will be more helpful if you do not remove the product from the central heating system.

Installation Guide

SS2E W

The following items should be included in the carton:

- ❖ Product complete with fixed white grille and pre-wired mains cable.
- ❖ Fixing screws (2).

Overlay grilles which fit over the fixed white grille are available in different colours and finishes. Please consult the price list for details. In the event of items missing or visible damage, please contact us on 01245 324560.

We would be most grateful if you would leave this Installation & User Guide and the Guarantee Registration Card with the owner of the property.

Space Saver is primarily intended for installation in the space beneath kitchen cupboards behind the plinth. However, it can also be installed in similar applications such as stair risers and other built-in furniture.

This Space Saver model must not be installed in a bathroom or other high humidity areas. Please contact us on 01245 324560 for details of products suitable for these applications.

Space Saver is classified as a fixed appliance and electrical connection should be via a 10A double pole fused spur with a minimum contact gap of 3mm. The fused spur must not be directly above the heater but should be accessible after completion of the installation. If the pre-wired mains cable is damaged, it must be replaced by either the manufacturer, its service agent or similarly qualified persons. The appliance must be earthed.

To ensure adequate airflow, a minimum clearance

of 20mm between the top of the product and any shelving is essential.

To avoid the possibility of vibration, this product must be installed on a flat, even surface.

There must be no rear access to the product after completion of the installation.

To conform with Building Regulations Part L (Part J in Scotland), a remote room thermostat (Smith's Part No. RT002) can be used in conjunction with this Space Saver heater.

Space Saver is fitted with overheat protection. The heater will automatically stop in the event of the heating elements reaching the cut out temperature.

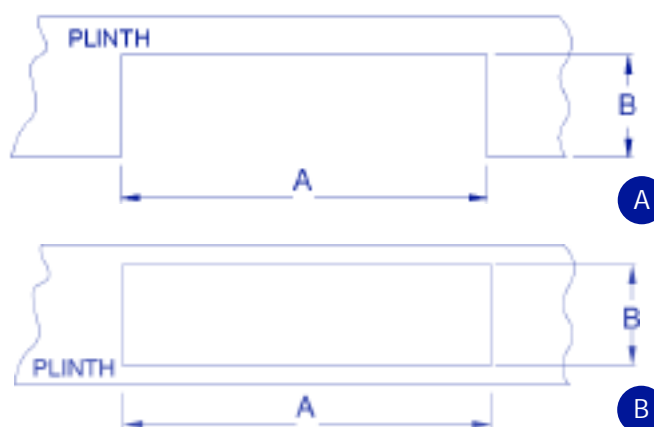
In the event of any difficulty please contact us on 01245 324560.

Please note the guarantee may be invalidated if this product is not installed and used in accordance with this guide.

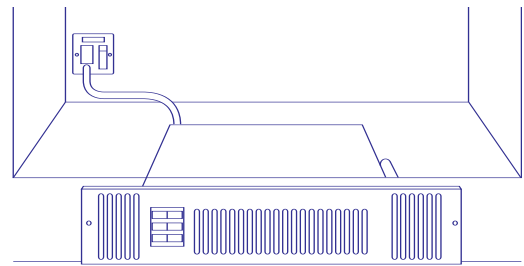
1. We recommend the use of a kneepad when installing this product. Cut the opening in the plinth to the size shown in the table. Use method A or B. For carpeted or laminated floors use method B with the product a minimum of 20mm above floor level.

Model	Width A	Height B*
SS2E W	475mm	96mm

* The overall height of the grille is 100mm. Use care when cutting the opening

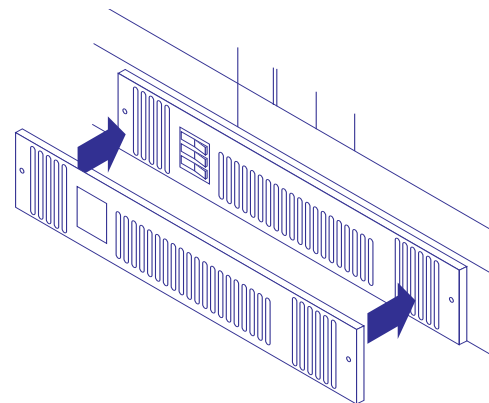


2. Isolate the electrical supply and connect the heater electric cable to the 10A fused spur. The fused spur must not be directly above the heater, but should be accessible after completion of the installation.



Commissioning

- 1 Turn on the electrical supply at the fused spur.
 - 2 Set any room thermostat/s to maximum.
 - 3 Set the upper fan switch to ON – the fan will run.
 - 4 Set the middle 1kW switch to ON – heat will flow immediately (1kW).
 - 5 Set the lower 2kW switch to ON – additional heat will flow (2kW).
 - 6 When the installation is working correctly, remember to reset any room thermostat/s to its normal setting.
3. Position the heater, making sure the electrical cable is not snagged.
 - 4a. Fix heater to the plinth.
 - 4b. If required fit the overlay grille. Remove the screws holding the fixed grille to the plinth, place the overlay grille over the fixed grille and refit the screws.



Fault Finding

1. Fan does not run/no heat output.
 - a. Check the power supply is switched ON.
 - b. Check fuse in the fused spur.
 - c. Check the fan switch is ON.
2. If the overheat protection has activated, manually reset as follows.
 - a. Switch the power supply OFF at the fused spur.
 - b. Wait five minutes for the overheat cut out switch to reset.
 - c. Switch the power supply ON.

In the event of any difficulty, please contact us on 01245 324560.

User Guide

SS3 W, SS5 W, SS7 W, SS9 W & SS5 W/12V

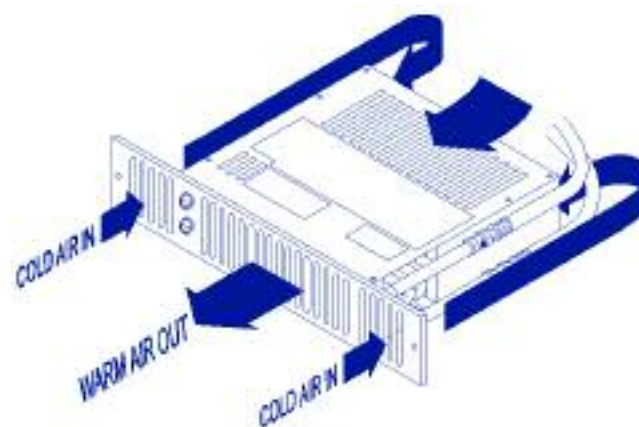
User Information

- ❖ Your product is covered by a free 5-year parts and labour guarantee; please complete and return the Guarantee Registration Card to us as soon as possible to ensure that should you require assistance, we can help you quickly and more efficiently.
- ❖ Your Space Saver fan-assisted radiator is designed to operate as part of your central heating system in the same way as a panel radiator. Providing the lower heat output switch is left in either the normal (I) or boost position (II) and the upper switch is in the HEATING position your Space Saver will switch on and off automatically with your central heating system.

How your Space Saver fan-assisted radiator works

Hot water from your central heating system passes through a heat exchanger transferring its heat to the aluminium fins. Cooler air is drawn in by the fan and heated as it passes through the heat exchanger before being discharged gently back into the room. This not only gives a more even temperature spread, but will heat a room up in less than half the time of a traditional panel radiator.

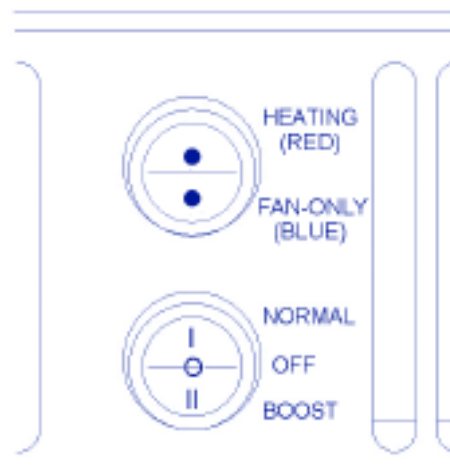
Space Saver includes an internal thermostat that prevents the fan from operating until the central heating system water passing through the heat exchanger reaches 42°C. This prevents Space Saver circulating cooler air at start up.



Heating

Ensure your central heating is on, the lower switch set to normal and the upper switch to heating RED. Providing the water temperature in the system is more than 42°C and the thermostat controlling your central heating system is calling for heat, your Space Saver will switch on.

If you require a faster warm up, move the lower switch to boost (II). Moving the switch to (O) will turn off the Space Saver.



Air Circulation (summer use)

Ensure your central heating system is off. Set the upper switch to BLUE and the lower switch to I or II. Space Saver will run to provide a cooling flow of air. If used in conjunction with a remote room thermostat, ensure the thermostat is set to maximum.

Fault Finding

This Space Saver is covered by a free 5-year parts and labour guarantee. Please refer to the Fault Finding section on page 6 (page 11 for 12V models) for advice. In the event of difficulty, please contact us on 01245 324560. It will be helpful if you do not disconnect the Space Saver from the central heating system.

SS5 W/Dual

User Information

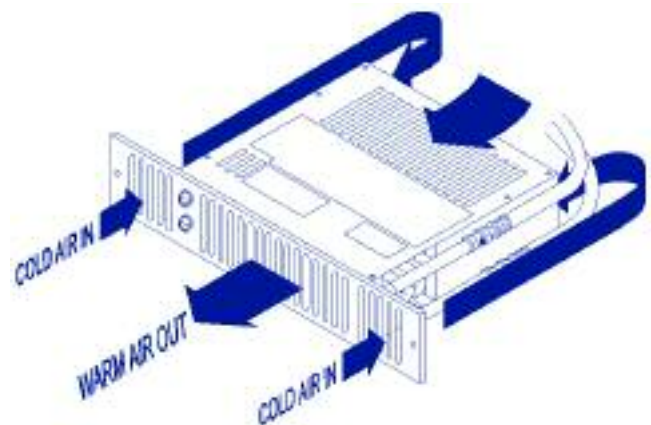
- ❖ Your product is covered by a free 5-year parts and labour guarantee; please complete and return the Guarantee Registration Card to us as soon as possible to ensure that should you require assistance, we can help you quickly and more efficiently.
- ❖ Your Space Saver fan-assisted radiator is designed to operate as part of your central heating system in the same way as a panel radiator. Providing you leave Space Saver in hydronic heating mode, it will switch on and off automatically with your central heating system.

How your Space Saver fan-assisted radiator works

Hot water from your central heating system passes through a heat exchanger transferring its heat to the aluminium fins. Cooler air is drawn in by the fan and heated as it passes through the heat exchanger before being discharged gently back into the room. This not only gives a more even temperature spread, but will heat a room up in less than half the time of a traditional panel radiator.

A supplementary electric heating element allows you heat when the central heating system is switched off. Please note that if your central heating comes on while Space Saver is switched to electric heating mode, the element will automatically switch off. Using hydronic heating mode where possible will considerably reduce running costs.

Space Saver includes an internal thermostat that prevents the fan from operating until the central heating system water passing through the heat exchanger reaches 42°C. This prevents Space Saver circulating cooler air at start up.



User Guide

Hydronic Heating

Ensure your central heating system is on. Check the upper rocker switch is to the left (red), the middle rocker switch to the left (hydronic heating) and the lower rocker switch either to the left (normal) or right (boost). Providing the water temperature in the system is more than 42°C and the thermostat controlling your central heating system is calling for heat, your Space Saver will switch on. Moving the upper rocker switch to its centre position will turn off the Space Saver.

Electric Heating

Ensure the upper rocker switch is to the left (red), the middle rocker switch to the right (electric heating) and the lower rocker switch to the left (normal) and your Space Saver will switch on. Moving the lower rocker switch to boost will not increase the heat output. Moving the upper rocker switch to its centre position will turn off the Space Saver.

For your safety this Space Saver heater is fitted with automatic overheat protection. If the heater stops, turn off the power at the fused spur, wait 5 minutes and switch the power back on.

Air Circulation (summer use)

Ensure your central heating is off. Check the upper rocker switch is to the right (blue), the middle rocker switch is either to the left or right and the lower rocker switch either to the left (normal) or right (boost). Space Saver will provide a cooling flow of air. If used in conjunction with a room thermostat, ensure the thermostat is set to maximum.

Fault Finding

This Space Saver is covered by a free 5-year parts and labour guarantee. Please refer to the Fault Finding section on page 15 for advice. In the event of difficulty, please contact us on 01245 324560. It will be helpful if you do not disconnect the Space Saver from the central heating system.



SS2E W

User Information

- ❖ Your product is covered by a free 5-year parts and labour guarantee; please complete and return the Guarantee Registration Card to us as soon as possible to ensure that should you require assistance, we can help you quickly and more efficiently.

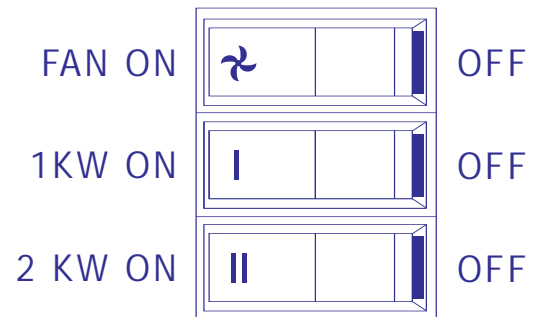
Heating

Before switching the heater on, please ensure the fascia grille is free from obstruction.

Ensure your fused spur is switched ON. Set the thermostat (if fitted) to the desired temperature. Set the upper fan switch and the middle 1kW switch to ON. If you require a faster warm up set the lower 2kW switch to ON.

To turn the heater off, set the fan switch to OFF. Please note all switches must be in the ON position to achieve 2kW heat output.

For your safety this Space Saver heater is fitted with automatic overheat protection. If the heater stops, turn off the power at the fused spur, wait 5 minutes and switch the power back on.



Air Circulation (summer use)

Set the thermostat (if fitted) to maximum. Set the fan switch to ON. Ensure the 1kW and 2kW switches are OFF. Space Saver will provide a cooling flow of air.

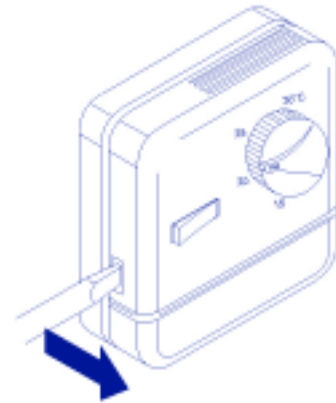
Fault Finding

This Space Saver is covered by a free 5-year parts and labour guarantee. Please refer to the Fault Finding section on page 17 for advice. In the event of difficulty, please contact us on 01245 324560.

Remote Room Thermostat

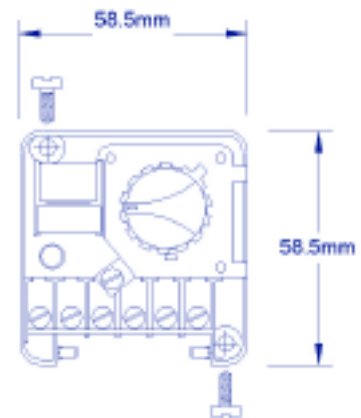
Location

Select a location well away from any heat, sunlight or draughts that may affect the performance of the thermostat. Locations adjacent to doors or windows must be avoided. Recommended height is 1.5m above floor level.



Fixing

- Remove the front cover by depressing the cover fixing lug whilst simultaneously prising the base and the cover apart.
- Remove the terminal cover.
- Fix base to the wall using two screws.

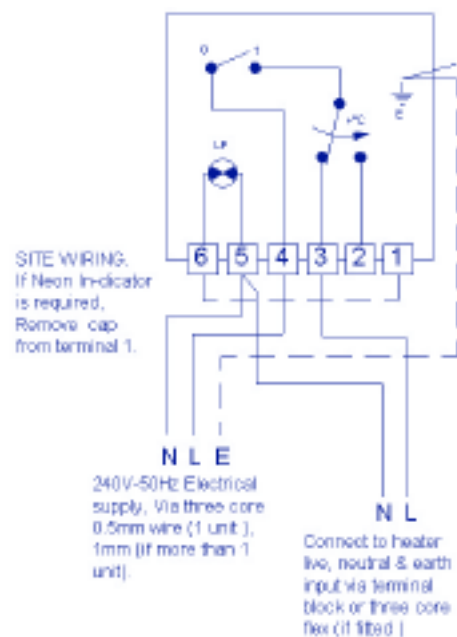


Wiring

Wiring must comply with I.E.E Regulations.

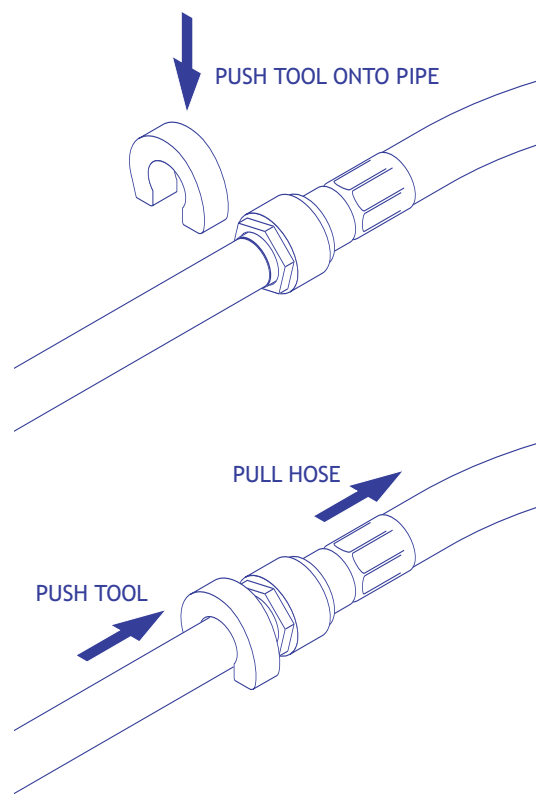
This thermostat is suitable for controlling heaters up to 10A.

Maximum ambient temperature of the thermostat is 32°C.



Removal of push-fit flexible hoses

Close the isolating valves and if required drain the system. Place the removal tool over the pipe. Push the tool against the brass insert of the connection and pull off the hose.





Smith's Environmental Products Ltd,

Blackall Industrial Estate, South Woodham Ferrers, Chelmsford, Essex, CM3 5UW

Tel: 01245 324900 Fax: 01245 324422

Sales E-mail: sales@smiths-env.com General Information E-mail: info@smiths-env.com Web: www.smiths-env.com

For the Republic of Ireland, contact MT Agencies (Ireland) Ltd on Tel: 01 864 3363